

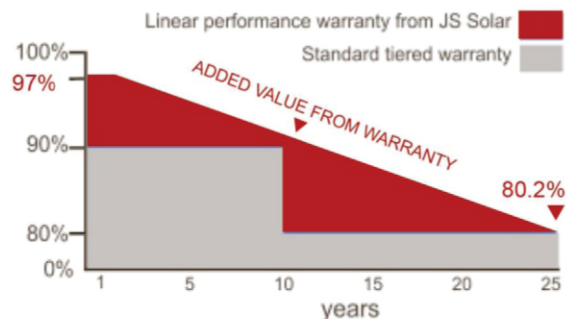
72 SERIES MONOCRYSTALLINE PHOTOVOLTAIC MODULES

PEAK POWER: 380-400 W_p FEATURES INCLUDE:

- Excellent module efficiency up to 20.17%
- Positive power tolerance of 0~3% improve system performance
- High-tech aluminum alloy frame, certified for high snow(5400Pa) and wind loads(4000Pa)
- IP68 Junction box for long-term weather endurance
- Salt mist and Ammonia resistance, for seaside and farm environments
- Excellent performance under weak light condition
- Up to 10% lower logistic costs due to higher module capacity per container

25-YEAR PROGRESSIVE WARRANTY*

- 25-year progressive power warranty
- 10-year warranty on materials and workmanship

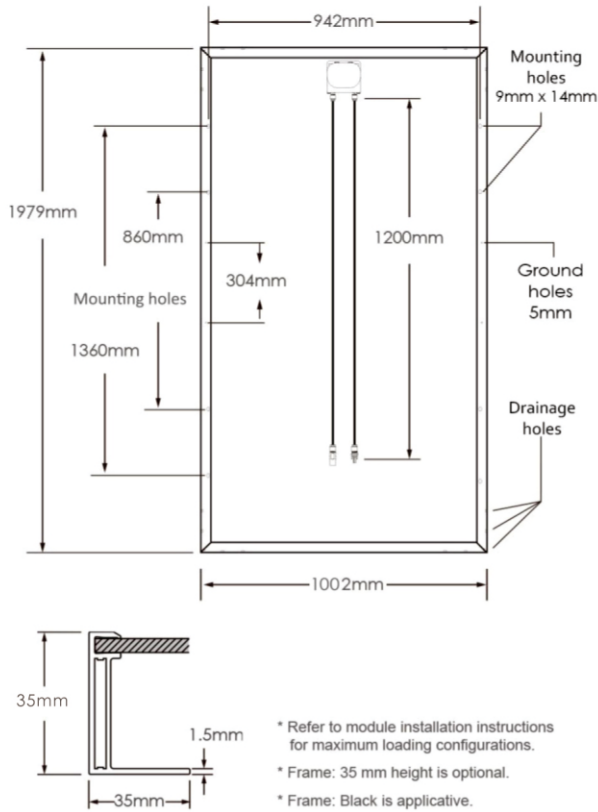


CERTIFICATIONS & STANDARDS*



Application Class A
Safety Class II

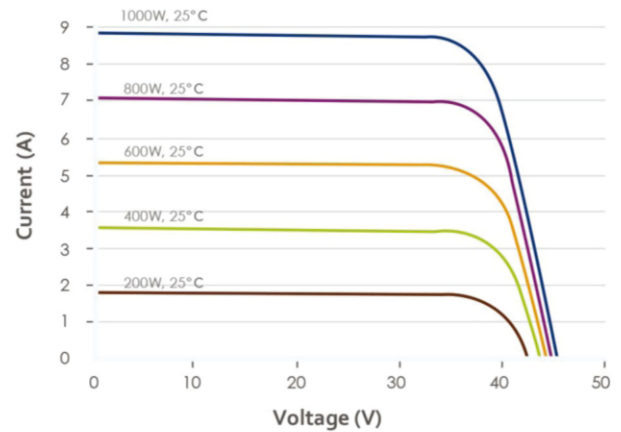
PHYSICAL CHARACTERISTICS



PHYSICAL DESIGN PROPERTIES

Dimension	1979x1002x35mm
Weight	23.5 kg±5%
Glass	3.2mm low iron tempered glass with anti-reflective coating
Junction Box	IP68 with 3 bypass diodes
Output Cables	Φ4.0mm ² , 1200mm
Connectors	MC4 Compatible
Packing	30 pcs/ pallet,660pcs/ container (HQ)

IV CURVE



ELECTRICAL PERFORMANCE

Electrical Performance @ STC	JS380M	JS385M	JS390M	JS395M	JS400M
Maximum Power P _{max} [Wp]	380	385	390	395	400
Max. Power Voltage V _{mpp} (V)	39.10	39.30	39.50	39.7	39.9
Max. Power Current I _{mpp} (A)	9.72	9.8	9.88	9.95	10.02
Open Circuit Voltage V _{oc} (V)	46.74	47.06	47.14	47.28	47.38
Short Circuit Current I _{sc} (A)	10.18	10.2	10.25	10.32	10.39
Module Efficiency (%)	19.18%	19.43%	19.69%	19.9%	21.17%

ELECTRICAL PERFORMANCE PARAMETERS

I _{sc} Temperature Coefficient	α (%/°C)	+0.06	Max. Series Fuse	15A
V _{oc} Temperature Coefficient	β (%/°C)	-0.34	Max. System Voltage	IEC 1500V
P _{max} Temperature Coefficient	γ (%/°C)	-0.37	Nominal Operating Cell Temp. (NOCT)	42°C ± 2°C

IV parameters are rated at Standard Test Conditions (Irradiance of 1000 W/m², AM 1.5, cell temperature 25°C). All measurements are guaranteed at the laminate leads. NOCT is measured at 800 W/m², 20°C ambient, and 1 m/s windspeed. Specifications are subject to change without notice. JS Solar reserves the rights of final interpretation and revision on this datasheet.